

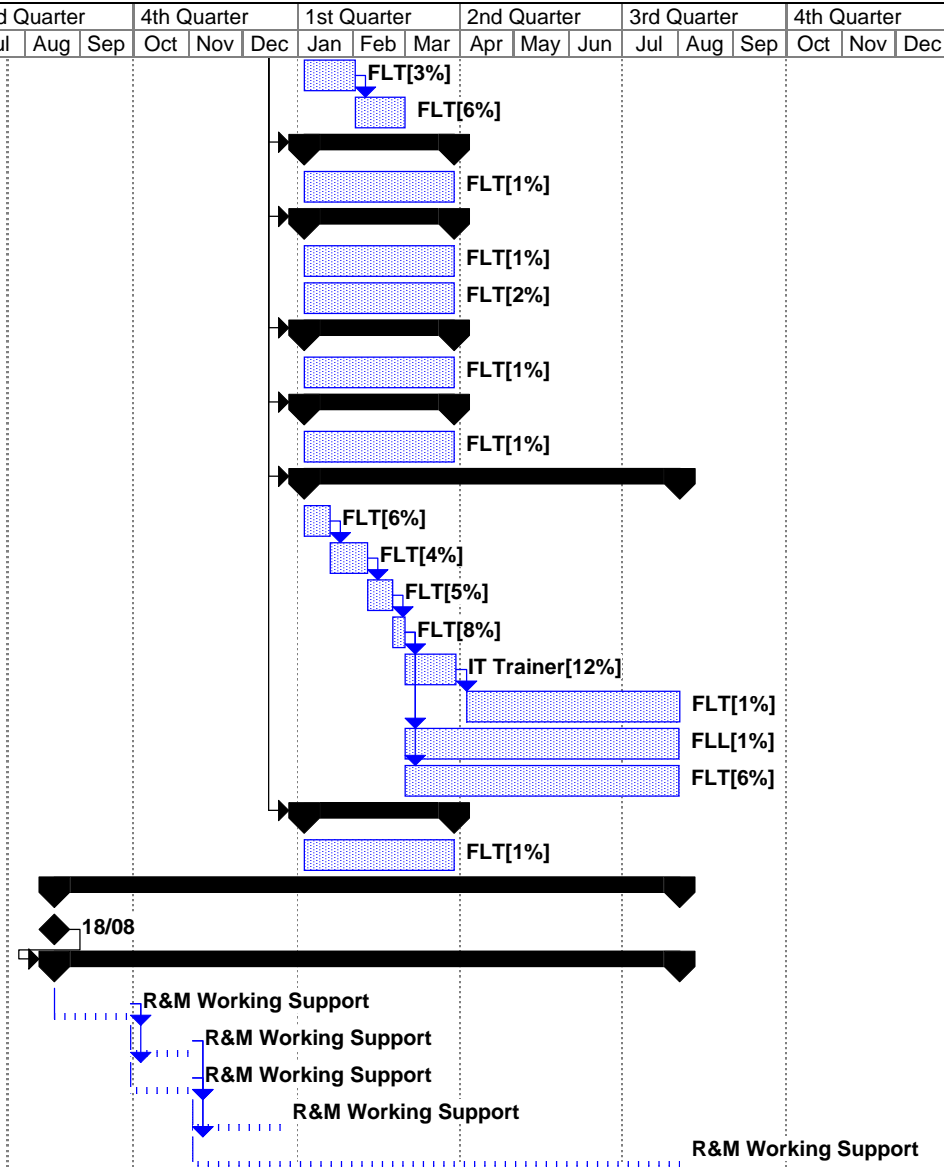
ID	Work	Task Name	Start	Finish	3rd Quarter			4th Quarter				1st Quarter			2nd Quarter			3rd Quarter			4th Quarter		
					Jul	Aug	Sep	Oct	Nov	Dec	Jan	Feb	Mar	Apr	May	Jun	Jul	Aug	Sep	Oct	Nov	Dec	
1	315.5 hrs	<b>EXISTING A2003-1</b>	<b>Mon 18/08/03</b>	<b>Mon 02/08/04</b>																			
2	0 hrs	Start	Mon 18/08/03	Mon 18/08/03																			
3	40.5 hrs	<b>EXISTING A2003-1.1</b>	<b>Mon 18/08/03</b>	<b>Mon 02/08/04</b>																			
4	0 hrs	Staff development	Mon 18/08/03	Mon 01/09/03																			
5	10.5 hrs	Consultancy & Planning	Mon 01/09/03	Mon 08/09/03																			
6	20 hrs	Computing Services Induction	Mon 08/09/03	Mon 29/09/03																			
7	0 hrs	Computing Account Registration	Mon 08/09/03	Mon 29/09/03																			
8	10 hrs	Troubleshooting	Mon 08/09/03	Mon 02/08/04																			
9	146 hrs	<b>EXISTING A2003-1.2</b>	<b>Mon 18/08/03</b>	<b>Mon 02/08/04</b>																			
10	131 hrs	Ongoing consultancy & support	Mon 18/08/03	Mon 02/08/04																			
11	15 hrs	Library Consultancy	Mon 18/08/03	Mon 02/08/04																			
12	39 hrs	<b>EXISTING A2003-1.3</b>	<b>Mon 18/08/03</b>	<b>Mon 02/08/04</b>																			
13	39 hrs	Ongoing consultancy & support	Mon 18/08/03	Mon 02/08/04																			
14	40 hrs	<b>EXISTING A2003-1.4</b>	<b>Mon 18/08/03</b>	<b>Mon 02/08/04</b>																			
15	40 hrs	Ongoing consultancy & support	Mon 18/08/03	Mon 02/08/04																			
16	50 hrs	<b>EXISTING A2003-1.5</b>	<b>Mon 18/08/03</b>	<b>Mon 02/08/04</b>																			
17	50 hrs	Ongoing consultancy & support	Mon 18/08/03	Mon 02/08/04																			
18	291.15 hrs	<b>CELSI A2003-1</b>	<b>Mon 18/08/03</b>	<b>Mon 02/08/04</b>																			
19	0 hrs	Start	Mon 18/08/03	Mon 18/08/03																			
20	5 hrs	<b>CELSI A2003-1.1</b>	<b>Mon 18/08/03</b>	<b>Mon 22/12/03</b>																			
21	3 hrs	Consultancy & awareness raising	Mon 18/08/03	Mon 22/12/03																			
22	2 hrs	Library Consultancy	Tue 19/08/03	Mon 22/12/03																			
23	57 hrs	<b>CELSI A2003-1.2</b>	<b>Mon 18/08/03</b>	<b>Mon 02/08/04</b>																			
24	3 hrs	Initial Consultancy & Planning	Mon 18/08/03	Mon 01/09/03																			
25	10 hrs	Create webs	Mon 01/09/03	Mon 22/09/03																			
26	24 hrs	Author training	Mon 22/09/03	Mon 03/11/03																			
27	20 hrs	Ongoing consultancy & support	Mon 03/11/03	Mon 02/08/04																			
28	63 hrs	<b>CELSI A2003-1.3</b>	<b>Mon 18/08/03</b>	<b>Mon 02/08/04</b>																			
29	5 hrs	Initial Consultancy & Planning	Mon 18/08/03	Mon 01/09/03																			
30	5 hrs	Produce VLE development plan	Mon 01/09/03	Mon 22/09/03																			

Project: project-plan-draft-1 Date: Tue 22/07/03	Task		Milestone		External Tasks	
	Split		Summary		External Milestone	
	Progress		Project Summary		Deadline	

ID	Work	Task Name	Start	Finish	3rd Quarter			4th Quarter			1st Quarter			2nd Quarter			3rd Quarter			4th Quarter			
					Jul	Aug	Sep	Oct	Nov	Dec	Jan	Feb	Mar	Apr	May	Jun	Jul	Aug	Sep	Oct	Nov	Dec	
31	4 hrs	Set up VLE	Mon 22/09/03	Mon 06/10/03																			
32	3 hrs	Pre-load VLE	Mon 06/10/03	Mon 13/10/03																			
33	20 hrs	VLE training	Mon 13/10/03	Mon 10/11/03																			
34	26 hrs	Ongoing consultancy & support	Mon 20/10/03	Mon 02/08/04																			
35	2 hrs	<b>CELSI A2003-1.4</b>	<b>Mon 18/08/03</b>	<b>Mon 22/12/03</b>																			
36	2 hrs	Consultancy	Mon 18/08/03	Mon 22/12/03																			
37	61 hrs	<b>CELSI A2003-1.5</b>	<b>Mon 18/08/03</b>	<b>Mon 02/08/04</b>																			
38	2 hrs	Initial Consultancy & Planning	Mon 18/08/03	Mon 25/08/03																			
39	1 hr	Account request & creation	Mon 25/08/03	Mon 08/09/03																			
40	18 hrs	Faculty ICT induction & e-learning orie	Mon 08/09/03	Mon 29/09/03																			
41	30 hrs	Development needs analyses	Mon 29/09/03	Mon 03/11/03																			
42	10 hrs	Ongoing consultancy & support	Mon 03/11/03	Mon 02/08/04																			
43	3 hrs	<b>CELSI A2003-1.6</b>	<b>Mon 18/08/03</b>	<b>Mon 22/12/03</b>																			
44	3 hrs	Consultancy, awareness raising and st	Mon 18/08/03	Mon 22/12/03																			
45	77.65 hrs	<b>CELSI A2003-1.7</b>	<b>Mon 18/08/03</b>	<b>Mon 02/08/04</b>																			
46	1.65 hrs	Initial Consultancy & Planning	Mon 18/08/03	Mon 01/09/03																			
47	5 hrs	Produce VLE development plan	Mon 01/09/03	Mon 22/09/03																			
48	4 hrs	Set up VLE	Mon 22/09/03	Mon 06/10/03																			
49	3 hrs	Pre-load VLE	Mon 06/10/03	Mon 13/10/03																			
50	12 hrs	VLE training	Mon 13/10/03	Mon 10/11/03																			
51	52 hrs	Ongoing consultancy & support	Mon 20/10/03	Mon 02/08/04																			
52	22.5 hrs	<b>CELSI A2003-1.8</b>	<b>Mon 18/08/03</b>	<b>Mon 02/08/04</b>																			
53	0 hrs	Staff development	Mon 18/08/03	Mon 01/09/03																			
54	3.5 hrs	Consultancy & Planning	Mon 01/09/03	Mon 08/09/03																			
55	9 hrs	Computing Services Induction	Mon 08/09/03	Mon 29/09/03																			
56	0 hrs	Computing Account Registration	Mon 08/09/03	Mon 29/09/03																			
57	10 hrs	Troubleshooting	Mon 08/09/03	Mon 02/08/04																			
58	153 hrs	<b>CELSI A2003-2</b>	<b>Mon 05/01/04</b>	<b>Mon 02/08/04</b>																			
59	0 hrs	Start	Mon 05/01/04	Mon 05/01/04																			
60	15 hrs	<b>CELSI A2003-2.1</b>	<b>Mon 05/01/04</b>	<b>Mon 01/03/04</b>																			

Project: project-plan-draft-1 Date: Tue 22/07/03	Task		Milestone		External Tasks	
	Split		Summary		External Milestone	
	Progress		Project Summary		Deadline	

ID	Work	Task Name	Start	Finish	3rd Quarter			4th Quarter			1st Quarter			2nd Quarter			3rd Quarter			4th Quarter		
					Jul	Aug	Sep	Oct	Nov	Dec	Jan	Feb	Mar	Apr	May	Jun	Jul	Aug	Sep	Oct	Nov	Dec
61	5 hrs	Consultancy	Mon 05/01/04	Mon 02/02/04																		
62	10 hrs	Staff development	Mon 02/02/04	Mon 01/03/04																		
63	5 hrs	<b>CELSI A2003-2.2</b>	<b>Mon 05/01/04</b>	<b>Mon 29/03/04</b>																		
64	5 hrs	Consultancy	Mon 05/01/04	Mon 29/03/04																		
65	15 hrs	<b>CELSI A2003-2.3</b>	<b>Mon 05/01/04</b>	<b>Mon 29/03/04</b>																		
66	5 hrs	Consultancy	Mon 05/01/04	Mon 29/03/04																		
67	10 hrs	Staff development	Mon 05/01/04	Mon 29/03/04																		
68	5 hrs	<b>CELSI A2003-2.4</b>	<b>Mon 05/01/04</b>	<b>Mon 29/03/04</b>																		
69	5 hrs	Consultancy	Mon 05/01/04	Mon 29/03/04																		
70	5 hrs	<b>CELSI A2003-2.5</b>	<b>Mon 05/01/04</b>	<b>Mon 29/03/04</b>																		
71	5 hrs	Consultancy	Mon 05/01/04	Mon 29/03/04																		
72	103 hrs	<b>CELSI A2003-2.6</b>	<b>Mon 05/01/04</b>	<b>Mon 02/08/04</b>																		
73	5 hrs	Initial Consultancy & Planning	Mon 05/01/04	Mon 19/01/04																		
74	5 hrs	Produce VLE development plan	Mon 19/01/04	Mon 09/02/04																		
75	4 hrs	Set up VLE	Mon 09/02/04	Mon 23/02/04																		
76	3 hrs	Pre-load VLE	Mon 23/02/04	Mon 01/03/04																		
77	20 hrs	VLE training	Mon 01/03/04	Tue 30/03/04																		
78	9 hrs	Student e-learning orientation	Mon 05/04/04	Mon 02/08/04																		
79	5 hrs	Library consultancy & support	Mon 01/03/04	Mon 02/08/04																		
80	52 hrs	Ongoing consultancy & support	Mon 01/03/04	Mon 02/08/04																		
81	5 hrs	<b>CELSI A2003-2.7</b>	<b>Mon 05/01/04</b>	<b>Mon 29/03/04</b>																		
82	5 hrs	Consultancy	Mon 05/01/04	Mon 29/03/04																		
83	60 hrs	<b>DPD A2003-1</b>	<b>Mon 18/08/03</b>	<b>Mon 02/08/04</b>																		
84	0 hrs	Start	Mon 18/08/03	Mon 18/08/03																		
85	0 hrs	<b>DPD A2003-1.1</b>	<b>Mon 18/08/03</b>	<b>Mon 02/08/04</b>																		
86	0 hrs	Initial Consultancy	Mon 18/08/03	Mon 29/09/03																		
87	0 hrs	Lap-top preparation	Mon 29/09/03	Mon 03/11/03																		
88	0 hrs	Staff development (general file manage	Mon 29/09/03	Mon 03/11/03																		
89	0 hrs	Staff development (remote & mobile wc	Mon 03/11/03	Mon 22/12/03																		
90	0 hrs	Ongoing consultancy & support	Mon 03/11/03	Mon 02/08/04																		

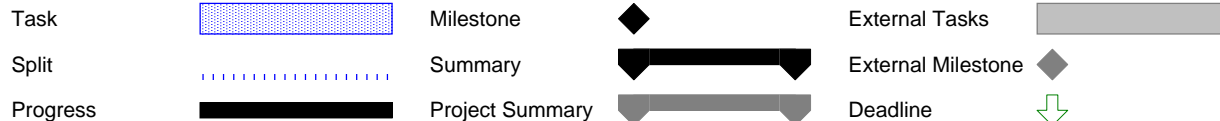


Project: project-plan-draft-1  
Date: Tue 22/07/03

Task		Milestone		External Tasks	
Split		Summary		External Milestone	
Progress		Project Summary		Deadline	

ID	Work	Task Name	Start	Finish	3rd Quarter			4th Quarter				1st Quarter			2nd Quarter			3rd Quarter			4th Quarter		
					Jul	Aug	Sep	Oct	Nov	Dec	Jan	Feb	Mar	Apr	May	Jun	Jul	Aug	Sep	Oct	Nov	Dec	
91	60 hrs	<b>DPD A2003-1.2</b>	<b>Mon 18/08/03</b>	<b>Mon 02/08/04</b>																			
92	0 hrs	Initial Consultancy & Planning	Mon 18/08/03	Mon 25/08/03																			
93	0 hrs	Produce VLE development plan	Mon 25/08/03	Mon 01/09/03																			
94	4 hrs	Set up VLE	Mon 01/09/03	Mon 08/09/03																			
95	0 hrs	Pre-load VLE	Mon 08/09/03	Mon 15/09/03																			
96	4 hrs	VLE training	Mon 18/08/03	Mon 01/09/03																			
97	0 hrs	Student e-learning orientation	Mon 01/09/03	Mon 22/12/03																			
98	52 hrs	Ongoing consultancy & support	Mon 01/09/03	Mon 02/08/04																			
99	121 hrs	<b>DPD A2003-2</b>	<b>Mon 18/08/03</b>	<b>Mon 02/08/04</b>																			
100	0 hrs	Start	Mon 05/01/04	Mon 05/01/04																			
101	121 hrs	<b>DPD A2003-2.1</b>	<b>Mon 18/08/03</b>	<b>Mon 02/08/04</b>																			
102	5 hrs	Initial Consultancy & Planning	Mon 18/08/03	Mon 01/09/03																			
103	5 hrs	Produce VLE development plan	Mon 01/09/03	Mon 22/09/03																			
104	5 hrs	Set up VLE	Mon 22/09/03	Mon 06/10/03																			
105	3 hrs	Pre-load VLE	Mon 06/10/03	Mon 13/10/03																			
106	16 hrs	VLE training	Mon 13/10/03	Fri 02/04/04																			
107	20 hrs	Library e-resources training	Mon 13/10/03	Fri 02/04/04																			
108	15 hrs	Student e-learning orientation	Mon 05/04/04	Mon 02/08/04																			
109	52 hrs	Ongoing consultancy & support	Mon 20/10/03	Mon 02/08/04																			
110	44 hrs	<b>DPD A2003-3</b>	<b>Mon 05/04/04</b>	<b>Mon 02/08/04</b>																			
111	0 hrs	Start	Mon 05/04/04	Mon 05/04/04																			
112	31 hrs	<b>DPD A2003-3.1</b>	<b>Mon 05/04/04</b>	<b>Mon 02/08/04</b>																			
113	5 hrs	Initial Consultancy & Planning	Mon 05/04/04	Mon 03/05/04																			
114	14 hrs	Staff Development	Mon 03/05/04	Mon 07/06/04																			
115	10 hrs	Develop resources in VLE/Progress	Mon 07/06/04	Mon 02/08/04																			
116	2 hrs	Set up access to Progress	Mon 07/06/04	Mon 02/08/04																			
117	0 hrs	Ready for 2004/5	Mon 02/08/04	Mon 02/08/04																			
118	13 hrs	<b>DPD A2003-3.2</b>	<b>Mon 05/04/04</b>	<b>Mon 02/08/04</b>																			
119	5 hrs	Initial Consultancy & Planning	Mon 05/04/04	Mon 03/05/04																			
120	6 hrs	Staff Development	Mon 03/05/04	Mon 07/06/04																			

Project: project-plan-draft-1  
Date: Tue 22/07/03



ID	Work	Task Name	Start	Finish	3rd Quarter			4th Quarter			1st Quarter			2nd Quarter			3rd Quarter			4th Quarter		
					Jul	Aug	Sep	Oct	Nov	Dec	Jan	Feb	Mar	Apr	May	Jun	Jul	Aug	Sep	Oct	Nov	Dec
121	2 hrs	Develop resources in VLE	Mon 07/06/04	Mon 02/08/04																		
122	0 hrs	Ready for 2004/5	Mon 02/08/04	Mon 02/08/04																		
123	420.5 hrs	<b>DPCE A2003-1</b>	<b>Mon 18/08/03</b>	<b>Mon 02/08/04</b>																		
124	0 hrs	Start	Mon 18/08/03	Mon 18/08/03																		
125	5 hrs	<b>DPCE A2003-1.1</b>	<b>Mon 18/08/03</b>	<b>Mon 02/08/04</b>																		
126	5 hrs	Consultancy & awareness raising	Mon 18/08/03	Mon 02/08/04																		
127	45 hrs	<b>DPCE A2003-1.2</b>	<b>Mon 18/08/03</b>	<b>Mon 02/08/04</b>																		
128	3 hrs	Initial Consultancy & Planning	Mon 18/08/03	Mon 01/09/03																		
129	10 hrs	Create webs	Mon 01/09/03	Mon 22/09/03																		
130	12 hrs	Author training	Mon 22/09/03	Mon 03/11/03																		
131	20 hrs	Ongoing consultancy & support	Mon 03/11/03	Mon 02/08/04																		
132	83 hrs	<b>DPCE A2003-1.3</b>	<b>Mon 18/08/03</b>	<b>Mon 02/08/04</b>																		
133	2 hrs	Centre staff - University College comp	Mon 18/08/03	Mon 13/10/03																		
134	5 hrs	Initial Consultancy & Planning	Mon 18/08/03	Mon 01/09/03																		
135	5 hrs	Produce VLE development plan	Mon 01/09/03	Mon 22/09/03																		
136	4 hrs	Set up VLE	Mon 22/09/03	Mon 06/10/03																		
137	3 hrs	Pre-load VLE	Mon 06/10/03	Mon 13/10/03																		
138	12 hrs	VLE training	Mon 13/10/03	Mon 10/11/03																		
139	52 hrs	Ongoing consultancy & support	Mon 20/10/03	Mon 02/08/04																		
140	14.5 hrs	<b>DPCE A2003-1.4</b>	<b>Mon 18/08/03</b>	<b>Mon 02/08/04</b>																		
141	0 hrs	Staff development	Mon 18/08/03	Mon 01/09/03																		
142	3.5 hrs	Consultancy & Planning	Mon 01/09/03	Mon 08/09/03																		
143	1 hr	Computing Services Induction	Mon 08/09/03	Mon 22/09/03																		
144	0 hrs	Computing Account Registration	Mon 08/09/03	Mon 22/09/03																		
145	10 hrs	Troubleshooting	Mon 08/09/03	Mon 02/08/04																		
146	0 hrs	<b>DPCE A2003-1.5</b>	<b>Mon 18/08/03</b>	<b>Mon 02/08/04</b>																		
147	0 hrs	Initial Consultancy	Mon 18/08/03	Mon 29/09/03																		
148	0 hrs	Lap-top preparation	Mon 29/09/03	Mon 03/11/03																		
149	0 hrs	Staff development (general file manage	Mon 29/09/03	Mon 03/11/03																		
150	0 hrs	Staff development (remote & mobile w	Mon 03/11/03	Mon 22/12/03																		

Project: project-plan-draft-1 Date: Tue 22/07/03	Task		Milestone		External Tasks	
	Split		Summary		External Milestone	
	Progress		Project Summary		Deadline	

ID	Work	Task Name	Start	Finish	3rd Quarter			4th Quarter			1st Quarter			2nd Quarter			3rd Quarter			4th Quarter		
					Jul	Aug	Sep	Oct	Nov	Dec	Jan	Feb	Mar	Apr	May	Jun	Jul	Aug	Sep	Oct	Nov	Dec
151	0 hrs	Ongoing consultancy & support	Mon 03/11/03	Mon 02/08/04	<b>R&amp;M Working Support</b>																	
152	<b>147 hrs</b>	<b>DPCE A2003-1.6</b>	<b>Mon 18/08/03</b>	<b>Mon 02/08/04</b>																		
153	10 hrs	Initial Consultancy & Planning	Mon 18/08/03	Mon 01/09/03																		
154	10 hrs	Produce VLE development plan	Mon 01/09/03	Mon 22/09/03																		
155	16 hrs	Set up VLE	Mon 22/09/03	Mon 29/09/03																		
156	12 hrs	Pre-load VLE	Mon 22/09/03	Mon 29/09/03																		
157	12 hrs	VLE training	Mon 29/09/03	Mon 06/10/03																		
158	30 hrs	Student e-learning orientation	Mon 06/10/03	Mon 10/11/03																		
159	5 hrs	Library consultancy	Mon 06/10/03	Mon 02/08/04																		
160	52 hrs	Ongoing consultancy & support	Mon 06/10/03	Mon 02/08/04																		
161	<b>26 hrs</b>	<b>DPCE A2003-1.7</b>	<b>Mon 27/10/03</b>	<b>Fri 30/07/04</b>																		
162	5 hrs	Initial Consultancy & Planning	Mon 27/10/03	Mon 10/11/03																		
163	6 hrs	Staff Development	Mon 10/11/03	Mon 24/11/03																		
164	5 hrs	Student e-learning orientation	Mon 24/11/03	Mon 22/12/03																		
165	10 hrs	Ongoing consultancy & support	Mon 24/11/03	Fri 30/07/04																		
166	<b>55 hrs</b>	<b>DPCE A2003-1.8</b>	<b>Mon 27/10/03</b>	<b>Mon 02/08/04</b>																		
167	10 hrs	Initial Consultancy & Planning	Mon 27/10/03	Mon 10/11/03																		
168	10 hrs	Staff Development	Mon 10/11/03	Mon 24/11/03																		
169	35 hrs	Ongoing consultancy & support	Mon 24/11/03	Mon 02/08/04																		
170	<b>40 hrs</b>	<b>DPCE A2003-1.9</b>	<b>Mon 27/10/03</b>	<b>Mon 02/08/04</b>																		
171	10 hrs	Initial Consultancy & Planning	Mon 27/10/03	Mon 10/11/03																		
172	10 hrs	Staff Development	Mon 10/11/03	Mon 24/11/03																		
173	20 hrs	Ongoing consultancy & support	Mon 24/11/03	Mon 02/08/04																		
174	<b>5 hrs</b>	<b>DPCE A2003-1.10</b>	<b>Mon 18/08/03</b>	<b>Mon 02/08/04</b>																		
175	5 hrs	Consultancy	Mon 18/08/03	Mon 02/08/04																		
176	<b>54 hrs</b>	<b>DPCE A2003-2</b>	<b>Mon 05/01/04</b>	<b>Mon 02/08/04</b>																		
177	0 hrs	Start	Mon 05/01/04	Mon 05/01/04																		
178	<b>21 hrs</b>	<b>DPCE A2003-2.1</b>	<b>Mon 05/01/04</b>	<b>Mon 02/08/04</b>																		
179	5 hrs	Initial Consultancy & Planning	Mon 05/01/04	Mon 02/02/04																		
180	6 hrs	Staff Development	Mon 02/02/04	Mon 29/03/04																		

Project: project-plan-draft-1 Date: Tue 22/07/03	Task		Milestone		External Tasks	
	Split		Summary		External Milestone	
	Progress		Project Summary		Deadline	







ID	Work	Task Name	Start	Finish	3rd Quarter			4th Quarter				1st Quarter			2nd Quarter			3rd Quarter			4th Quarter		
					Jul	Aug	Sep	Oct	Nov	Dec	Jan	Feb	Mar	Apr	May	Jun	Jul	Aug	Sep	Oct	Nov	Dec	
271	5 hrs	<b>DCS A2003-1.10</b>	<b>Mon 18/08/03</b>	<b>Mon 22/12/03</b>																			
272	5 hrs	Consultancy	Mon 18/08/03	Mon 22/12/03																			
273	261 hrs	<b>DCS A2003-2</b>	<b>Mon 05/01/04</b>	<b>Mon 02/08/04</b>																			
274	0 hrs	Start	Mon 05/01/04	Mon 05/01/04																			
275	89 hrs	<b>DCS A2003-2.1</b>	<b>Mon 05/01/04</b>	<b>Mon 02/08/04</b>																			
276	5 hrs	Initial Consultancy & Planning	Mon 05/01/04	Mon 19/01/04																			
277	5 hrs	Produce VLE development plan	Mon 19/01/04	Mon 09/02/04																			
278	4 hrs	Set up VLE	Mon 09/02/04	Mon 23/02/04																			
279	3 hrs	Pre-load VLE	Mon 23/02/04	Mon 01/03/04																			
280	20 hrs	VLE training	Mon 01/03/04	Mon 29/03/04																			
281	52 hrs	Ongoing consultancy & support	Mon 01/03/04	Mon 02/08/04																			
282	11 hrs	<b>DCS A2003-2.2</b>	<b>Mon 05/01/04</b>	<b>Mon 02/08/04</b>																			
283	5 hrs	Consultancy	Mon 05/01/04	Mon 02/08/04																			
284	6 hrs	Staff Development	Mon 05/01/04	Mon 02/08/04																			
285	5 hrs	<b>DCS A2003-2.3</b>	<b>Mon 01/03/04</b>	<b>Mon 29/03/04</b>																			
286	5 hrs	Consultancy	Mon 01/03/04	Mon 29/03/04																			
287	104 hrs	<b>DCS A2003-2.4</b>	<b>Mon 05/01/04</b>	<b>Mon 02/08/04</b>																			
288	5 hrs	Initial Consultancy & Planning	Mon 05/01/04	Mon 19/01/04																			
289	5 hrs	Produce VLE development plan	Mon 19/01/04	Mon 09/02/04																			
290	4 hrs	Set up VLE	Mon 09/02/04	Mon 23/02/04																			
291	3 hrs	Pre-load VLE	Mon 23/02/04	Mon 01/03/04																			
292	20 hrs	VLE training	Mon 01/03/04	Mon 05/04/04																			
293	10 hrs	Student e-learning orientation	Mon 05/04/04	Mon 10/05/04																			
294	5 hrs	Library consultancy	Mon 01/03/04	Mon 02/08/04																			
295	52 hrs	Ongoing consultancy & support	Mon 01/03/04	Mon 02/08/04																			
296	22 hrs	<b>DCS A2003-2.5</b>	<b>Mon 05/01/04</b>	<b>Mon 02/08/04</b>																			
297	10 hrs	Initial consultancy & planning	Mon 05/01/04	Mon 02/02/04																			
298	0 hrs	Systems development	Mon 02/02/04	Mon 29/03/04																			
299	2 hrs	Key Skills tracking system set up	Mon 29/03/04	Mon 03/05/04																			
300	10 hrs	Staff development	Mon 03/05/04	Mon 02/08/04																			

Project: project-plan-draft-1  
Date: Tue 22/07/03

Task

Milestone

External Tasks

Split

Summary

External Milestone

Progress

Project Summary

Deadline

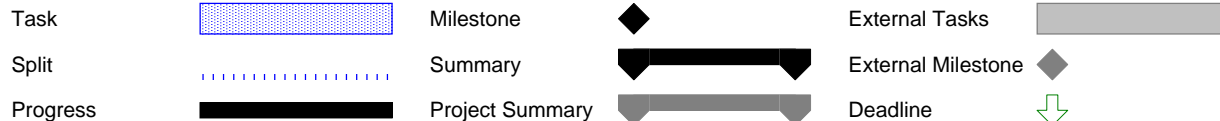


ID	Work	Task Name	Start	Finish	3rd Quarter			4th Quarter			1st Quarter			2nd Quarter			3rd Quarter			4th Quarter			
					Jul	Aug	Sep	Oct	Nov	Dec	Jan	Feb	Mar	Apr	May	Jun	Jul	Aug	Sep	Oct	Nov	Dec	
331	4 hrs	Set up VLE	Mon 22/09/03	Mon 29/09/03																			
332	3 hrs	Pre-load VLE	Mon 22/09/03	Mon 29/09/03																			
333	20 hrs	VLE training	Mon 29/09/03	Mon 06/10/03																			
334	10 hrs	Student e-learning orientation	Mon 06/10/03	Mon 10/11/03																			
335	5 hrs	Library consultancy	Mon 06/10/03	Mon 02/08/04																			
336	52 hrs	Ongoing consultancy & support	Mon 06/10/03	Mon 02/08/04																			
337	<b>841.17 hrs</b>	<b>DCPD A2003-2</b>	<b>Mon 18/08/03</b>	<b>Mon 02/08/04</b>																			
338	0 hrs	Start	Mon 05/01/04	Mon 05/01/04																			
339	<b>70 hrs</b>	<b>DCPD A2003-2.1</b>	<b>Mon 05/01/04</b>	<b>Mon 02/08/04</b>																			
340	10 hrs	Initial consultancy & planning	Mon 05/01/04	Mon 02/02/04																			
341	10 hrs	Progress system set up	Mon 02/02/04	Mon 01/03/04																			
342	6 hrs	Staff development	Mon 01/03/04	Mon 29/03/04																			
343	5 hrs	Student e-learning orientation	Mon 29/03/04	Mon 26/04/04																			
344	39 hrs	Ongoing consultancy & support	Mon 29/03/04	Mon 02/08/04																			
345	<b>771.17 hrs</b>	<b>DOINTE A2003-1</b>	<b>Mon 18/08/03</b>	<b>Mon 02/08/04</b>																			
346	0 hrs	Start	Mon 18/08/03	Mon 18/08/03																			
347	<b>5 hrs</b>	<b>DPOINTED A2003-1.1</b>	<b>Mon 18/08/03</b>	<b>Mon 02/08/04</b>																			
348	3 hrs	Consultancy & Awareness Raising	Mon 18/08/03	Mon 02/08/04																			
349	2 hrs	Library Consultancy	Mon 18/08/03	Mon 02/08/04																			
350	<b>480 hrs</b>	<b>DPOINTED A2003-1.2</b>	<b>Mon 18/08/03</b>	<b>Mon 22/12/03</b>																			
351	480 hrs	Consultancy	Mon 18/08/03	Mon 22/12/03																			
352	<b>115 hrs</b>	<b>DPOINTED A2003-1.3</b>	<b>Mon 18/08/03</b>	<b>Mon 02/08/04</b>																			
353	10 hrs	Initial Consultancy & Planning	Mon 18/08/03	Mon 01/09/03																			
354	5 hrs	Produce VLE development plan	Mon 01/09/03	Mon 22/09/03																			
355	8 hrs	Set up VLE	Mon 22/09/03	Mon 29/09/03																			
356	6 hrs	Pre-load VLE	Mon 22/09/03	Mon 29/09/03																			
357	14 hrs	VLE training	Mon 29/09/03	Mon 06/10/03																			
358	15 hrs	Student e-learning orientation	Mon 06/10/03	Mon 10/11/03																			
359	5 hrs	Library Consultancy	Mon 06/10/03	Mon 02/08/04																			
360	52 hrs	Ongoing consultancy & support	Mon 06/10/03	Mon 02/08/04																			

Project: project-plan-draft-1 Date: Tue 22/07/03	Task		Milestone		External Tasks	
	Split		Summary		External Milestone	
	Progress		Project Summary		Deadline	

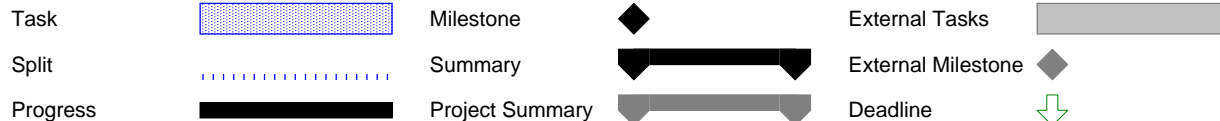
ID	Work	Task Name	Start	Finish	3rd Quarter			4th Quarter				1st Quarter			2nd Quarter			3rd Quarter			4th Quarter		
					Jul	Aug	Sep	Oct	Nov	Dec	Jan	Feb	Mar	Apr	May	Jun	Jul	Aug	Sep	Oct	Nov	Dec	
361	10 hrs	<b>DPOINTED A2003-1.4</b>	<b>Mon 18/08/03</b>	<b>Mon 22/12/03</b>																			
362	10 hrs	Consultancy	Mon 18/08/03	Mon 22/12/03																			
363	0 hrs	<b>DPOINTED A2003-1.5</b>	<b>Tue 19/08/03</b>	<b>Mon 22/12/03</b>																			
364	0 hrs	Consultancy & Support	Tue 19/08/03	Mon 22/12/03																			
365	50.17 hrs	<b>DPOINTED A2003-1.6</b>	<b>Mon 18/08/03</b>	<b>Mon 02/08/04</b>																			
366	0 hrs	Staff development	Mon 18/08/03	Mon 01/09/03																			
367	3.5 hrs	Consultancy & Planning	Mon 01/09/03	Mon 08/09/03																			
368	15 hrs	Computing Services Induction	Mon 08/09/03	Mon 29/09/03																			
369	0 hrs	Computing Account Registration	Mon 08/09/03	Mon 29/09/03																			
370	15 hrs	E-learning Orientation	Mon 29/09/03	Mon 22/12/03																			
371	16.67 hrs	Troubleshooting	Mon 08/09/03	Mon 02/08/04																			
372	5 hrs	<b>DPOINTED A2003-1.7</b>	<b>Mon 18/08/03</b>	<b>Mon 22/12/03</b>																			
373	5 hrs	Consultancy	Mon 18/08/03	Mon 22/12/03																			
374	5 hrs	<b>DPOINTED A2003-1.8</b>	<b>Tue 19/08/03</b>	<b>Mon 22/12/03</b>																			
375	5 hrs	Consultancy	Tue 19/08/03	Mon 22/12/03																			
376	70 hrs	<b>DPOINTED A2003-1.9</b>	<b>Mon 18/08/03</b>	<b>Mon 02/08/04</b>																			
377	10 hrs	Initial consultancy & planning	Mon 18/08/03	Mon 15/09/03																			
378	10 hrs	Progress system set up	Mon 15/09/03	Mon 13/10/03																			
379	6 hrs	Staff development	Mon 13/10/03	Mon 10/11/03																			
380	5 hrs	Student e-learning orientation	Tue 11/11/03	Tue 09/12/03																			
381	39 hrs	Ongoing consultancy & support	Tue 11/11/03	Mon 02/08/04																			
382	5 hrs	<b>DPOINTED A2003-1.10</b>	<b>Tue 19/08/03</b>	<b>Mon 22/12/03</b>																			
383	5 hrs	Consultancy	Tue 19/08/03	Mon 22/12/03																			
384	21 hrs	<b>DPOINTED A2003-1.11</b>	<b>Mon 18/08/03</b>	<b>Mon 02/08/04</b>																			
385	5 hrs	Initial Consultancy & Planning	Mon 18/08/03	Mon 15/09/03																			
386	6 hrs	Staff Development	Mon 15/09/03	Mon 22/12/03																			
387	10 hrs	Ongoing consultancy & support	Mon 15/09/03	Mon 02/08/04																			
388	5 hrs	<b>DPOINTED A2003-1.12</b>	<b>Mon 18/08/03</b>	<b>Mon 22/12/03</b>																			
389	5 hrs	Consultancy	Mon 18/08/03	Mon 22/12/03																			
390	102 hrs	<b>Faculty/CCCUC A2003-1</b>	<b>Mon 18/08/03</b>	<b>Mon 02/08/04</b>																			

Project: project-plan-draft-1  
Date: Tue 22/07/03

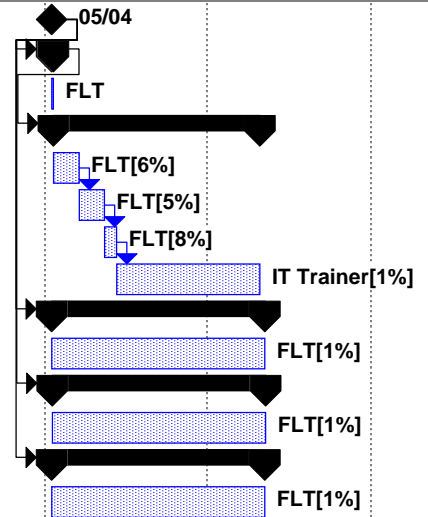


ID	Work	Task Name	Start	Finish	3rd Quarter			4th Quarter			1st Quarter			2nd Quarter			3rd Quarter			4th Quarter			
					Jul	Aug	Sep	Oct	Nov	Dec	Jan	Feb	Mar	Apr	May	Jun	Jul	Aug	Sep	Oct	Nov	Dec	
391	0 hrs	Start	Mon 18/08/03	Mon 18/08/03																			
392	26 hrs	Faculty/CCCUC A2003-1.1	Mon 18/08/03	Mon 02/08/04																			
393	26 hrs	Consultancy	Mon 18/08/03	Mon 02/08/04																			
394	46 hrs	Faculty/CCCUC A2003-1.2	Mon 18/08/03	Mon 02/08/04																			
395	5 hrs	Initial Consultancy & Planning	Mon 18/08/03	Mon 01/09/03																			
396	4 hrs	Set up VLE	Mon 01/09/03	Mon 15/09/03																			
397	3 hrs	Pre-load VLE	Mon 15/09/03	Mon 22/09/03																			
398	8 hrs	VLE training	Mon 22/09/03	Mon 20/10/03																			
399	26 hrs	Ongoing consultancy & support	Mon 22/09/03	Mon 02/08/04																			
400	10 hrs	Faculty/CCCUC A2003-1.3	Mon 18/08/03	Mon 22/12/03																			
401	10 hrs	Development	Mon 18/08/03	Mon 22/12/03																			
402	5 hrs	Faculty/CCCUC A2003-1.4	Mon 18/08/03	Mon 22/12/03																			
403	5 hrs	Consultancy	Mon 18/08/03	Mon 22/12/03																			
404	5 hrs	Faculty/CCCUC A2003-1.5	Mon 18/08/03	Mon 02/08/04																			
405	5 hrs	Consultancy	Mon 18/08/03	Mon 02/08/04																			
406	0 hrs	Faculty/CCCUC A2003-1.6	Mon 18/08/03	Mon 01/09/03																			
407	0 hrs	Consultancy	Mon 18/08/03	Mon 01/09/03																			
408	10 hrs	Faculty/CCCUC A2003-1.7	Mon 18/08/03	Mon 02/08/04																			
409	10 hrs	Consultancy	Mon 18/08/03	Mon 02/08/04																			
410	58 hrs	Faculty/CCCUC A2003-2	Mon 05/01/04	Mon 02/08/04																			
411	0 hrs	Start	Mon 05/01/04	Mon 05/01/04																			
412	53 hrs	Faculty/CCCUC A2003-2.1	Mon 05/01/04	Mon 02/08/04																			
413	5 hrs	Initial Consultancy & Planning	Mon 05/01/04	Mon 19/01/04																			
414	4 hrs	Set up VLE	Mon 19/01/04	Mon 02/02/04																			
415	3 hrs	Pre-load VLE	Mon 02/02/04	Mon 09/02/04																			
416	15 hrs	VLE training	Mon 09/02/04	Mon 29/03/04																			
417	26 hrs	Ongoing consultancy & support	Mon 09/02/04	Mon 02/08/04																			
418	5 hrs	Faculty/CCCUC A2003-2.2	Mon 05/01/04	Mon 02/08/04																			
419	5 hrs	Consultancy	Mon 05/01/04	Mon 02/08/04																			
420	38.5 hrs	Faculty/CCCUC A2003-3	Mon 05/04/04	Mon 02/08/04																			

Project: project-plan-draft-1  
Date: Tue 22/07/03



ID	Work	Task Name	Start	Finish	3rd Quarter			4th Quarter			1st Quarter			2nd Quarter			3rd Quarter			4th Quarter		
					Jul	Aug	Sep	Oct	Nov	Dec	Jan	Feb	Mar	Apr	May	Jun	Jul	Aug	Sep	Oct	Nov	Dec
421	0 hrs	Start	Mon 05/04/04	Mon 05/04/04																		
422	7.5 hrs	Faculty/CCCUC A2003-3.1	Mon 05/04/04	Tue 06/04/04																		
423	7.5 hrs	Consultancy	Mon 05/04/04	Tue 06/04/04																		
424	16 hrs	Faculty/CCCUC A2003-3.2	Tue 06/04/04	Fri 30/07/04																		
425	5 hrs	Initial Consultancy & Planning	Tue 06/04/04	Tue 20/04/04																		
426	4 hrs	Set up VLE	Tue 20/04/04	Tue 04/05/04																		
427	3 hrs	Pre-load VLE	Tue 04/05/04	Tue 11/05/04																		
428	4 hrs	VLE training	Tue 11/05/04	Fri 30/07/04																		
429	5 hrs	Faculty/CCCUC A2003-3.3	Mon 05/04/04	Mon 02/08/04																		
430	5 hrs	Consultancy	Mon 05/04/04	Mon 02/08/04																		
431	5 hrs	Faculty/CCCUC A2003-3.4	Mon 05/04/04	Mon 02/08/04																		
432	5 hrs	Consultancy	Mon 05/04/04	Mon 02/08/04																		
433	5 hrs	Faculty/CCCUC A2003-3.4	Mon 05/04/04	Mon 02/08/04																		
434	5 hrs	Consultancy	Mon 05/04/04	Mon 02/08/04																		



Project: project-plan-draft-1 Date: Tue 22/07/03	Task		Milestone		External Tasks	
	Split		Summary		External Milestone	
	Progress		Project Summary		Deadline	